



OWNER'S MANUAL

Installation, Operation & Parts



MODELS

FL-73050

FL-73054

FL-73060

MANUFACTURED BY:

SPLASH POOL & SPA, INC.

To prevent potential injury and to avoid unnecessary service calls, read this manual carefully and completely.

SAVE THIS INSTRUCTION MANUAL

Use of appointed replacement parts voids warranty.

ATTENTION INSTALLER – THIS MANUAL, CONTAINING IMPORTANT INFORMATION ABOUT THE INSTALLATION, OPERATION, AND SAFE USE OF THIS FILTER, MUST BE GIVEN TO THE CONSUMER. FAILURE TO READ AND FOLLOW ALL INSTRUCTIONS COULD RESULT IN SERIOUS INJURIES.

TABLE OF CONTENTS

Chapter 1 : Safety instructions

Chapter 2 : Installation

Chapter 3 : Initial start-up of filter

Chapter 4 : Multiport Valve Operation

Chapter 5 : Trouble shooting

Chapter 6 : Winterizing

Chapter 7 : Warranty

CHAPTER ONE

SAFETY INSTRUCTIONS

1. Blow moulded Sand Filters are designed to work with water at a temperature more than 0° C and less than 45°C. The filter should never be operated outside of these temperatures or damage may occur.
2. The installation should be carried out in accordance to the safety instructions of swimming pools and the specific instructions for each facility.
3. The user should make sure that the installation is carried out by qualified authorized persons and that these persons have first carefully read the following instructions.
4. The operating safety of the filter is only guaranteed if the installation and instructions are correctly followed.
5. To reduce the risk of injury, do not permit children to use this product unless they are closely supervised at all times.
6. Incorrectly installed equipment may fail, causing severe injury or property damage.
7. Any modification of the filter requires the prior consent from the supplier. To ensure a high level of safety, only original replacement parts and accessories should be used. The supplier assumes no liability for the damage and injuries caused by unauthorized replacement parts and accessories.
8. In the event of defective operation or fault, contact the supplier or his nearest authorized service agent.

CHAPTER TWO

INSTALLATION

SAND FILTRATION

Incoming water from the piping system is automatically directed by the Multiport Valve to the top of the filter bed. As the water is pumped through the filter sand, dirt and debris are trapped by the filter bed and filtered out. The filtered water is returned from the bottom of the filter tank, through the Multiport Valve and back through the piping system.

INSTALLATION

1. Position the filter as close to the Swimming Pool/ Spa as possible.
2. Position the filter so that it is free from flooding area, away from sumps, guttering, garden hollows, etc.
3. Position the filter so that the piping connections, Multiport Valve and winter drain is convenient and accessible for operation, servicing and winterizing.
4. Ensure that the compliance label is facing the front to allow easy identification in the case of service difficulties.
5. The filter should be placed on a level concrete slab, very firm ground, or equivalent. Ensure that the ground will not subside, preventing any strain from the attached plumbing.
6. Ensure that there is no movement of the filter during operation of the Multiport Valve.

CHAPTER THREE

INITIAL STARTUP OF FILTER

Be sure correct amount of filter sand media is in tank and that all connections have been made and are secure.

1. Depress Multiport Valve handle and rotate to the BACKWASH position. NOTE: To prevent damage to control valve seal, always depress handle before turning.
2. Switch on the Pump/Open the inlet valve allowing the filter tanks to fill with water. Once water flow is steady exiting the waste line, run the pump for at least 2 minutes. The initial backwashing of the filter is recommended to remove any impurities or fine sand particles in the sand media.
3. Turn the pump off, Multiport Valve to the RINSE position. Switch on the pump approximately 30 seconds.
4. Switch off the pump Multiport Valve to the filter position and switch on the pump. Your filter is now in the normal filter mode.
5. Record the pressure gauge reading (start up pressure) during initial operation. After a period of time, the accumulated dirt and debris in the filter causes a resistance to the flow, and the flow diminishes. The pressure will start to rise and the flow of water will start diminishing. When the pressure gauge shows 8 to 10 PSI higher than the initial start-up pressure, it is time to do a backwash.

CHAPTER FOUR

MULTIPORT VALVE OPERATION

1. **Filter** - Position for filtering the body of water.

Incoming water from the piping system is automatically directed by the Multiport Valve to the top of the filter bed. As the water is pumped through the filter sand, dirt and debris are trapped by the filter bed, and filtered out. The filtered water is returned from the bottom of the filter tank, through the Multiport Valve and back through the piping system.

2. **Backwash** - Position for cleaning the filter media.

Water flow is reversed by the Multiport Valve through the filter bed so that water flow is directed to the bottom of the tank and up through the filter bed, flushing the previously trapped dirt and debris out the waste line.

3. **Rinse** - Position for flushing the filter system.

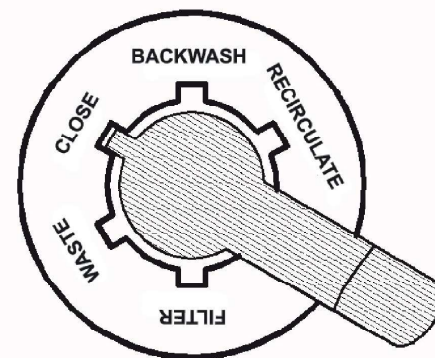
The water flow is directed by the Multiport Valve through the filter bed and out the waste line. This process settles the filter media bed into place and ensures any dirt or debris is rinsed out of the filter, preventing possible return to the Swimming Pool/Spa.

4. **Waste** - Position for bypassing the filter bed to Waste. The water flow is directed by the Multiport Valve straight to the backwash outlet, bypassing the entire filter bed. This Multiport Valve position is used lower the water level or for vacuuming water with high dirt loads.

5. **Re-circulate** - Position for bypassing the filter bed to the Swimming Pool/ Spa. The Multiport valve re-circulates water flow directly back to the Swimming Pool/Spa, bypassing the filter.

6. **Closed** – Position for closing all flow to the filter. This position is not to be used while the pump is in operation. **CAUTION: Operation of the Multiport Valve or mode selection is to be always done with the pump switched off.**

7. **Winter** – This function allows the mechanism of the valve to stay in inactive position to empty the water completely.



CHAPTER FIVE

TROUBLESHOOTING

Resistance or excessive force required to manipulate the Multiport Valve.

Possibility of foreign matter or debris. If this condition persists after rinsing, disassemble the valve to clear. Continuing operation of the valve may result in damaged to the seal (damage to spider gasket). This will lead to water loss to the backwash line or inefficient filtration.

Dirty Water

1. Insufficient filtration time.
2. Heavy contaminants or dirt load.
3. Dirty filter, requires backwashing.
4. Air leaking on suction (influent line).
5. Pump impeller vanes blocked.
6. Insufficient water supply (water level low, blockage).
7. Pump not primed.
8. Incorrect water chemistry.
9. Excessive flow of water for filter size. Foreign matter or debris forced through filter bed and through the under drain.
10. Other restrictions including (pool suction cleaners) resistance from other inline equipment such as strainers. Operating the filter on re-circulate will determine if the restriction is in the filter.
11. Clogged or channeled filter media. Perform backwash or regeneration.

Filter Media in the backwash

1. Excessive quantity of media in the filter.
2. Excessive water flow.
3. Incorrect sized or grade of filter media.

Filter Media returning to Swimming Pool/ Spa

1. Filter is on re-circulate.
2. Verify it is the filter media and not from another source.
3. Damage to the under-drain laterals.
4. Damage or incorrect fit of Multiport Valve
5. Incorrect or mixed grades of media in the filter.

Short filtration cycles

1. Presence of algae or a scale builds up.
2. Check water chemistry.
3. Excessive water flow, check pump size, mains water flow.
4. Filter blocked through calcium etc. clean filter media.

CHAPTER SIX

WINTERIZING

1. Completely drain tank by unscrewing drain cap at base of filter tank. **WARNING:** Don't unscrew the hexagonal nut, only the drain cap. Leave cap off during winter.
2. Depress Multi Port valve handle and rotate so as to set pointer on valve top. This will allow water to drain from the valve. Leave valve on "Winter" position.
3. Drain and winterize pump according to pump instructions.



CHAPTER SEVEN

LIMITED WARRANTY

To original purchasers of **Distinction** pumps and filters, **The manufacturer** warrants his products to be free from defects in materials and workmanship for a period of TWO (2) years from the date of purchase.

Parts which fail or become defective during the warranty period, except as a result of freezing, negligence, improper installation, use, or care, shall be repaired or replaced at our option, without charge, within 90 days of the receipt of defective product, barring unforeseen delays.

To obtain warranty replacement or repair, defective product or parts should be returned, transportation paid, to the place of purchase. No returns may be made directly to the warehouse without the express written authorization of the manufacturer.

The manufacturer shall not be responsible for cartage; removal and/or reinstallation labor or any other such costs incurred in obtaining warranty replacements.

Manufacturer's warranty does not apply to components manufactured by others. For such products, the warranty established by the respective manufacturer will apply.

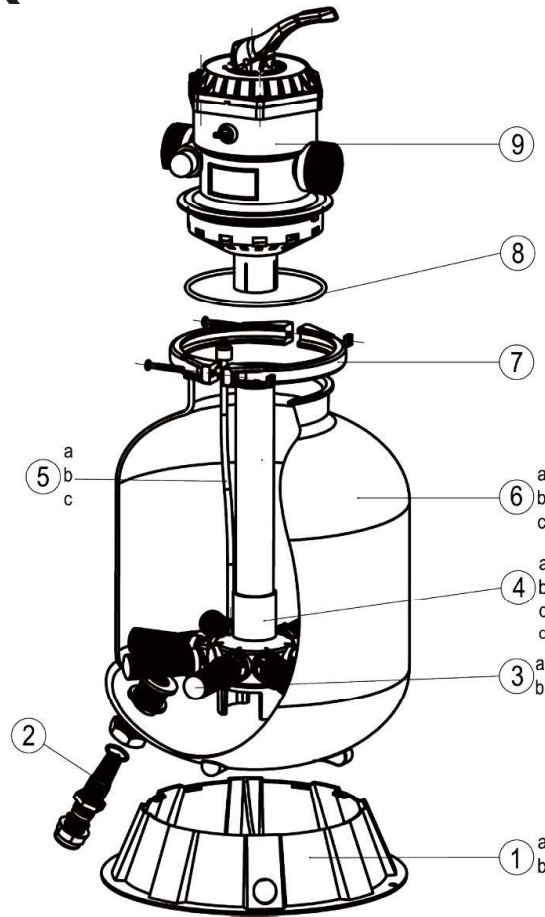
Some provinces do not allow a limitation on how long an implied warranty lasts, or the exclusion or limitation of incidental or consequential damages, so the above limitation or exclusion may not apply to you.

This warranty gives you specific legal rights, and you may also have other rights, which vary from province to province.

CHAPTER EIGHT

PARTS FOR FILTER

Models 73050, 73054 and 73060



Ref. No.	Part No.	Description	QTY
1b	647305009	Sand filter Base	1
2	6647304073	Drain plug	1
3a	647304017	Lateral for 73050	8
3b	647306016	Lateral for 73054/73060	8
4a	647305471	Center pipe for 73054	1
4b	647305071	Center pipe for 73050	1
4c	647306072	Center pipe for 73060	1
5b	647305173	Air release assembly for 73050 73054	1
5c	647306173	Air release assembly for 73060	1
6a	647305408	Filter tank for 73054	1
6b	647305008	Filter tank for 73050	1
6c	647606008	Filter tank for 73060	1
7	647304072	Flange clamp	1
8	65431012080	O-ring	1
9	647304071	6-way valve	1

